

3 in 1 Trio

Electric Steam Steriliser Bottle & Food Warmer

THANK YOU FOR CHOOSING MILTON!

IMPORTANT INSTRUCTIONS, PLEASE READ

before you start using your Milton Trio and retain this information for future reference.

The Trio can accommodate 5 wide neck bottles size 250 ml of any brand.

IMPORTANT WARNINGS

This appliance must not be used by children.

Keep the appliance and its cord out of reach of children.

This appliance may be used by persons with reduced physical, sensory or mental capabilities, or whose experience or knowledge is not sufficient, provided they are supervised or have received instruction to use the device safely and understand the dangers.

Children should not play with the appliance.

If the power cord is damaged do not use the product.

It must be replaced by the manufacturer, its after sale service or any other qualified person to avoid hazard.

Do not immerse the steriliser base in water.

Never disassemble the base to avoid the risk of electric shock.

Always use on a flat, cold and dry surface.

Do not open or touch the product during the sterilising cycle.

Always switch off and unplug after use.

Always unplug before removing remaining water.

Always wait 3 minutes after the sterilising cycle before touching the product to avoid burns.

Never use the steriliser without water.

Never place items directly on the heating element when the appliance is switched on.

Do not warm up food for too long.

Stir and taste to test the temperature.

YOUR FIRST USE OF THE 3 IN 1 TRIO

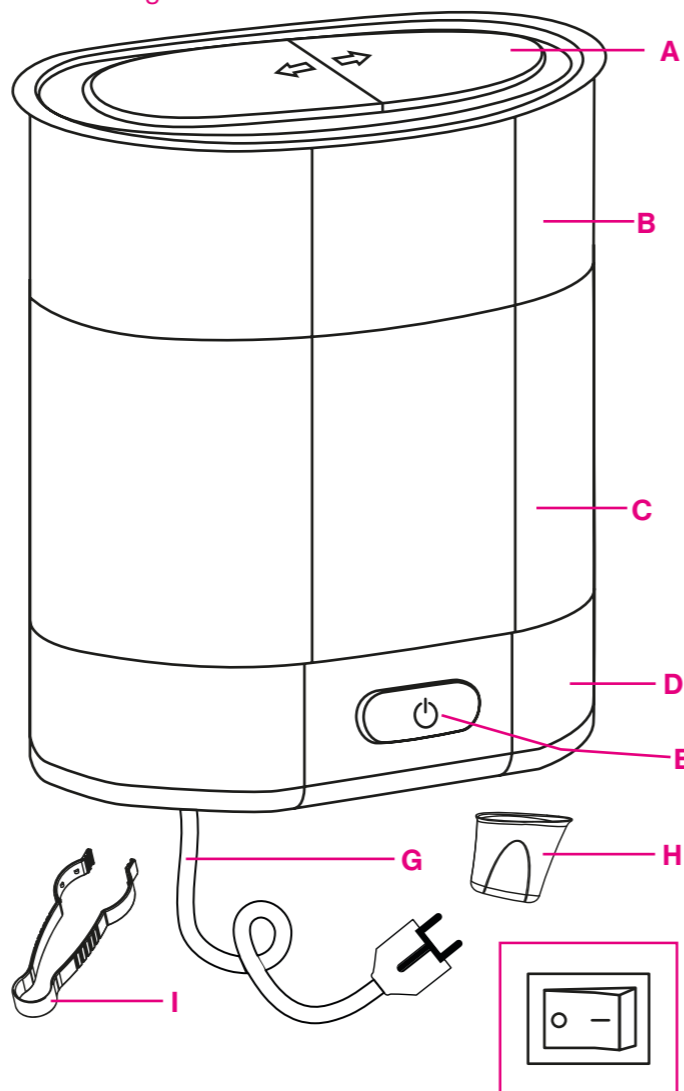
Before your first use clean all the plastic parts with warm soapy water and rinse with clear water. For the base, wipe with a wet cloth to clean it as well.

1. Fill the Trio base with exactly 90 ml of water using the measuring cup.
2. Place the main body and the accessory basket with the lid on in that order on top of the base.
3. Plug in the Trio and switch the back button (F) to position 1.
4. Press the front button (E) so the light comes on.
5. After the water has reached 100°C, it will turn into steam. When the water is totally dried out, the Trio will automatically shut off.
6. Let the Milton Steriliser cool down for 10 minutes before using it again. Unplug and switch off the back button on position 0.
7. Remove all parts and empty any remaining water from the base. Wipe dry all parts with a clean cloth. The steriliser is now ready to use.

Check that the accessories you want to sterilise stand 100°C. Always use the exact amount of water recommended in the instructions to guarantee product efficacy. This appliance is intended for household use only.

PARTS GUIDE

- A Lid
- B Accessory basket
- C Main body
- D Base
- E Red light / Front button
- F Back button
- G Lead with plug
- H Measuring cup
- I Tongs



F BACK BUTTON

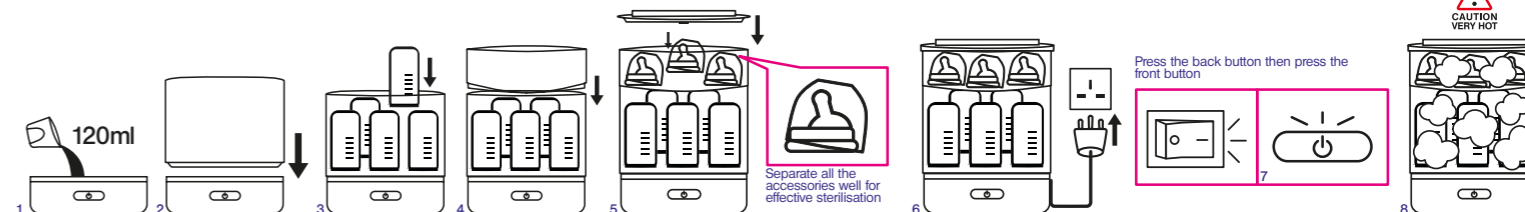
Voltage (V)	220-240
Frequency (Hz)	50-60
Watt (W)	600

STRICTLY FOLLOW THE INSTRUCTIONS BELOW, IN THE CORRECT ORDER, TO GUARANTEE CYCLE TIMINGS.
MEASURE OUT EXACTLY THE RECOMMENDED QUANTITY OF WATER.

1

ELECTRIC STEAM STERILISING INSTRUCTIONS

Before you start sterilising always pre-cleanse all baby feeding accessories in warm soapy water and rinse them well. Separate all the parts of the baby bottle for washing. For accessories such as soothers or breast feeding equipment, you can follow the same instructions. For small items you may only use the accessory basket.



1. Fill the base with **EXACTLY 120 ML OF WATER** using the measuring cup.
2. Place the main body of the steriliser on the base.
3. Load the main body with up to 5 bottles, facing the bottles neck downwards.
4. Add the accessory basket at the top of the main body.
5. Load the teats, screw rings and caps in the accessory basket. Make sure the teats, screw rings and caps are separated. Put the lid on.
6. Plug in the steriliser. Press the back button to position 1. Press the front button so the light comes on.

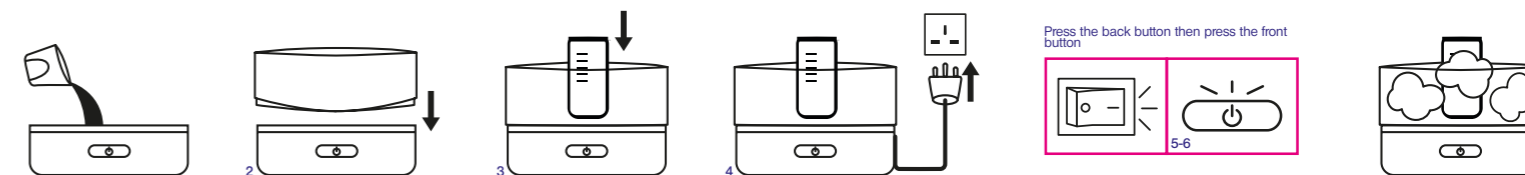
7. When the front light goes red, the sterilising cycle has started. Do not unplug or press any buttons until the cycle is finished.
8. When the front light switches off, the sterilising cycle is finished. Switch off the back button in position 0 and unplug.
9. Allow to cool for 3 minutes before opening.
10. Wash your hands. Remove the accessories using the provided tongs. Prepare the feeds. **Caution : very hot. Please use tongs to remove the accessories**
11. After each use, drain any remaining water and wipe dry all the Steriliser parts to avoid the build up of limescale.

2

BABY BOTTLE WARMING INSTRUCTIONS

1. Fill the base with the recommended quantity of water using the measuring cup. Check the table below to get the right quantity of water.
2. Place the accessory basket on the top of the base.
3. Place the filled baby bottle with the cover cap removed
4. Plug in the Steriliser. Press the back button on the 1 position. Press the front button so the light switches on.

5. The front light goes red. The warming cycle has started.
6. The front light switches off. The warming cycle is finished. **Caution : very hot.**
7. Replace the cap. Shake the bottle and test the milk temperature on the inside of your wrist before giving to baby.
8. If the milk is not warm enough repeat the instructions again.
9. When finished switch off the back button in position 0 and unplug.
10. After each use, drain any remaining water and wipe dry all the product parts to avoid the build up of limescale.



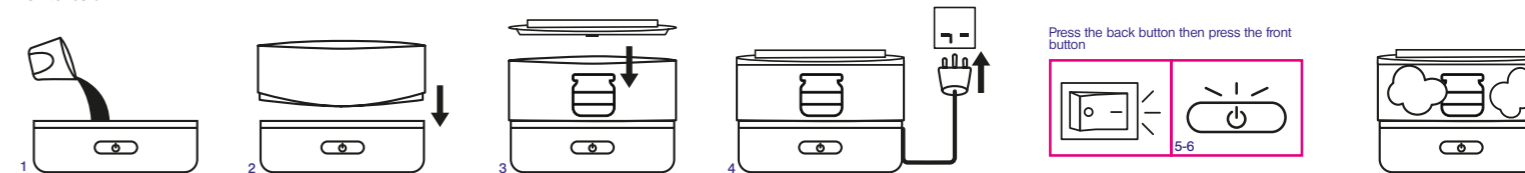
Milk quantity in ml	4°C From fridge Water quantity in ml to use in the base	20°C Room temperature Water quantity in ml to use in the base	Milk quantity in ml	4°C From fridge Water quantity in ml to use in the base	20°C Room temperature Water quantity in ml to use in the base
60 - 150 ml	80 ml Time < 6 min	60 ml Time < 5 min	160 ml - 330 ml	100 ml Time < 8 min	80 ml Time < 6 min

3

BABY FOOD WARMING INSTRUCTIONS

1. Fill the base with exactly 40 ml of water for a small jar or 80 ml for a large jar. Using the measuring cup.
2. Place the accessory basket on the top of the base.
3. Place the open baby jar in the open accessory basket. Add the basket lid.
4. Plug in the Steriliser. Press the back button on the 1 position. Press the front button so the light switches on.

5. The front light goes red. The warming cycle has started.
6. The front light switches off. The warming cycle is finished. **Caution : very hot.**
7. Remove the baby food jar. Stir up the food and test it.
8. If the food is not warm enough repeat the instructions again.
9. When finished switch off the button at the back in position 0 and unplug.
10. After each use, drain any remaining water and wipe dry all the product parts to avoid the build up of limescale.



For large jars open one of the lid handles

PROBLEM SOLVING

PROBLEMS	SOLUTIONS
The Steriliser does not work	Check that the main lead is not damaged and properly plugged in the socket. Ensure that the socket is on and works. You can check a socket by plugging in another appliance. Press the back button of the steriliser base on the 1 position. Press the front button so the light switches on. Ensure that you have put the correct quantity of water : 120ml for sterilising and check exact quantity of water in the instructions for Baby bottle and food warming. Ensure that you have switched off the steriliser correctly between uses with enough cooling time of 3 minutes.
Too much steam	Ensure that all items are correctly loaded in the Steriliser. Ensure that you have used the correct quantity of water.
Bottles come out with a mark	Steriliser must be descaled. Follow the cleaning instructions.
Sterilising cycle takes too long to complete or is shorter than expected	You may have put too much or not enough water in the Steriliser. Ensure that you have used the exact quantity. Over 10 minutes there is no need to worry, the sterilisation process is still effective. Under 10 minutes repeat the cycle with 120ml to ensure that the bottles were steamed for 10 min overall. Check length of the new cycle.
The steriliser is too hot to open it	Ensure that you have waited 3 minutes before opening. Use gloves if needed to remove the lid and the tongs to remove the accessories

CLEANING INSTRUCTIONS

After each use, drain any remaining water from the Trio base and always wipe dry all the parts. This will prevent scaling and any risk of bacteria build up in a moist environment when the product is not in use. **Descale regularly, once a week or once every other week, to guarantee full product efficacy.** Use 100 ml of white vinegar mixed with 200 ml cold water and pour into the Trio base. Leave until the limescale has fully dissolved. Drain and rinse thoroughly with a wet cloth. Wipe dry. Do not rinse under tap water. Repeat the instructions if necessary.

Do not clean with chlorine based solution as this could stain the metallic heating plate. Do not clean using any metal or scourers. Do not use abrasive material or corrosive solution to clean the steriliser.

PRODUCT WARRANTY : This product has a 12 months warranty period after the date of purchase. The warranty does not cover any intentional damage or misuse.
RETURNS : ALWAYS RETEST A FULL STERILISING CYCLE 3 TIMES BEFORE CONTACTING US
You must present a valid proof of purchase.
Milton will not take responsibility for normal wear and tear, damage caused intentionally, by misuse or poor cleaning.
New tongs and measuring cup will not be provided after 1 month of purchase.

For any question regarding the return policy please contact our Customer Service on + 44 (0)800 097 5606.
PRODUCT DISPOSAL
This product should not be thrown into the normal flow of municipal waste. Old appliances must be collected separately in order to optimise the recovery and recycling of materials they contain and reduce the impact on human health and the environment.